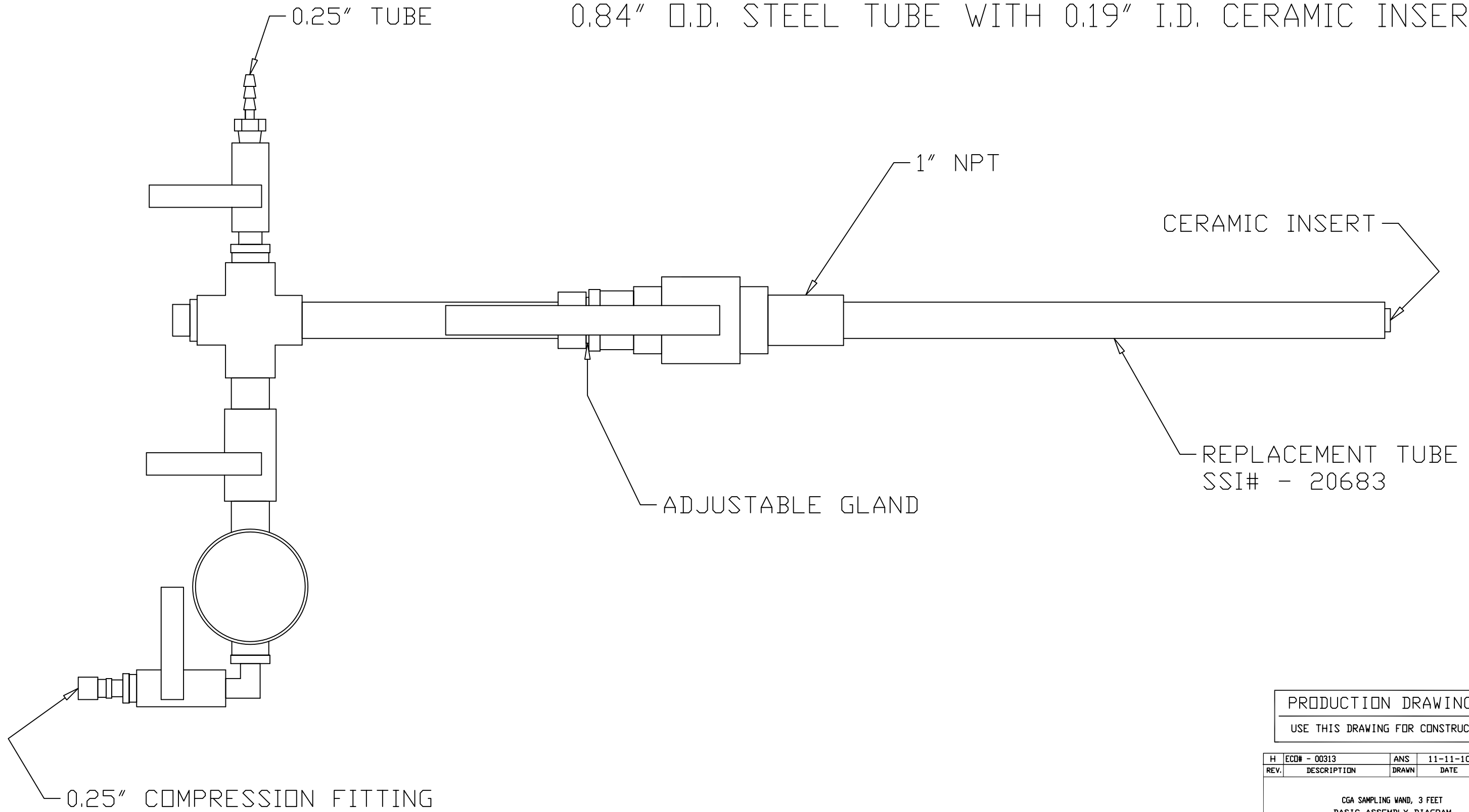


OVERALL TUBE LENGTH - 31.0"
 MAXIMUM INSERTION LENGTH - 22.125"
 0.84" O.D. STEEL TUBE WITH 0.19" I.D. CERAMIC INSERT



PRODUCTION DRAWING(S)
 USE THIS DRAWING FOR CONSTRUCTION.

H	ECD# - 00313	ANS	11-11-10	DWM
REV.	DESCRIPTION	DRAWN	DATE	APPROVED
CGA SAMPLING WAND, 3 FEET BASIC ASSEMBLY DIAGRAM				
APPROVALS	DATE	DWG. NO.	20264	REV. H
DRAWN THL	09-18-2000	\STANDARD PRODUCTS\MISC PARTS\		
CHECKED		SCALE	1:1	SHEET 1 OF 1
ISSUED				

UNLESS OTHERWISE SPECIFIED
 DIMENSIONS ARE IN INCHES
 TOLERANCES ARE:
 FRACTIONS ±1/64"
 DECIMALS X.XX ±0.100
 ANGLES X.XX ±0.010
 X.XXX ±0.001

NOTICE: THIS DRAWING AND THE INFORMATION HEREIN IS OWNED
 BY SUPER SYSTEMS, INC. (SSI). SSI RESERVES ALL RIGHTS
 INCLUDING TITLE, COPYRIGHT, PATENT RIGHTS AND THE RIGHT OF
 POSSESSION IN THE DRAWING AND ITS CONTENTS, EXCEPT AS
 AUTHORIZED BY SSI IN WRITING. ANY DISCLOSURE, REPRODUCTION,
 OR USE OF THIS DRAWING OR THE INFORMATION AND
 SPECIFICATIONS HEREIN IS STRICTLY PROHIBITED.

