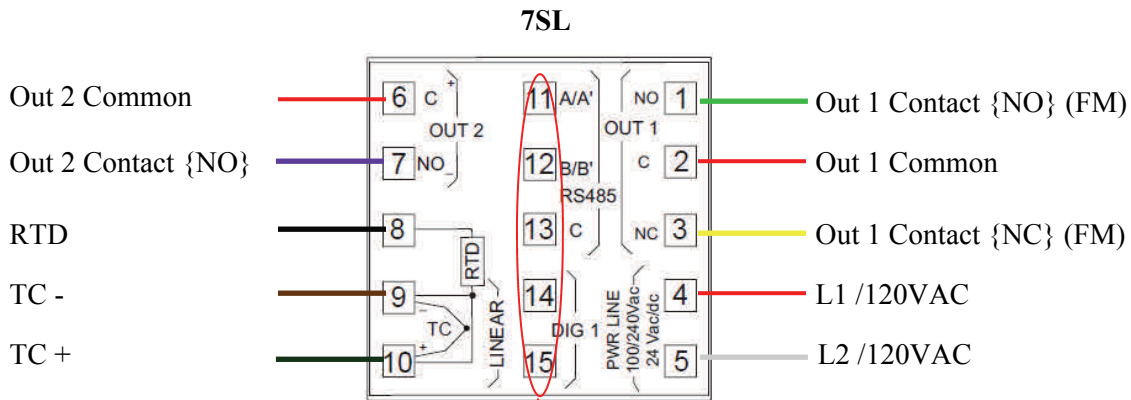




Introduction

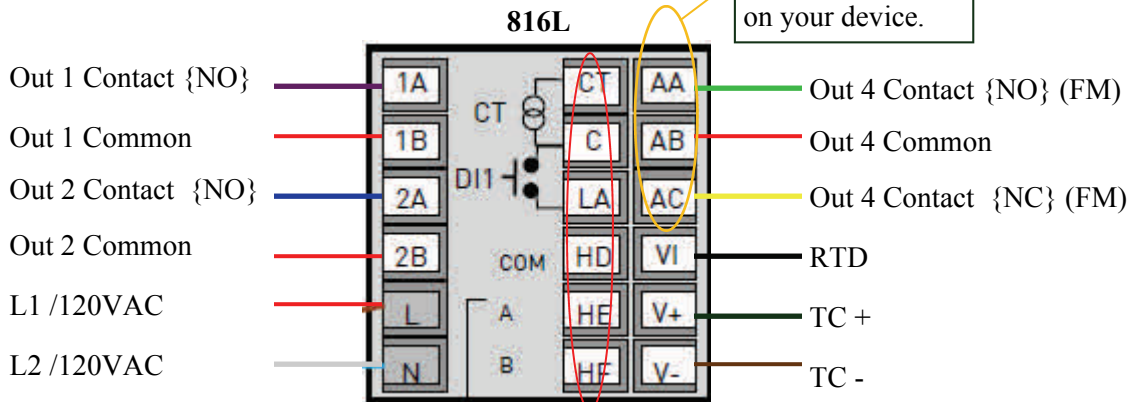
This manual will guide you through the process of wiring a Series 8 controller with a previously installed Series 7 controller. Note: the colors depicted in the images have no other meaning than to provide a quick visual reference for transferring wires from one controller to the next in a replacement scenario.



See Image 3.

NOTE: These may be labeled as 4A, 4B, and 4C on your device.

Image 1.



See Image 4.

Image 2.

Notes: {NO} = Normally Open Contact, {NC} = Normally Closed Contact
(FM) = Factory Mutual Approved Relay

7SL Middle Terminal Block

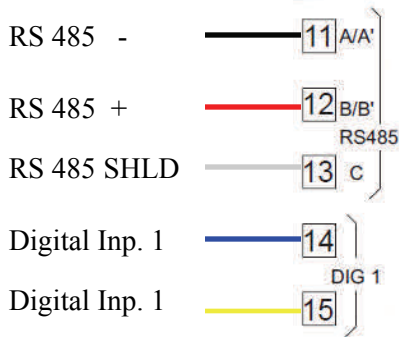


Image 3.

816L Middle Terminal Block

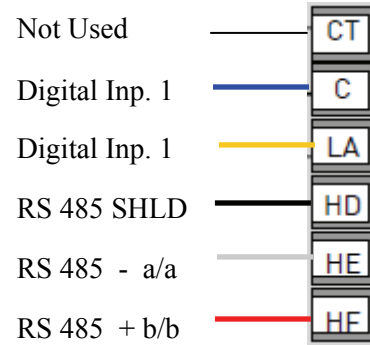


Image 4.

Procedure

The color codes provide a visual reference as to which terminals the wiring should be transferred to. Instructions below will describe the wiring in more detail.

1. Starting with Terminal 1 on the 7SL. The wire number on Terminal 1 should be transferred to Terminal AA on the 816L. This will serve as the FM Approved relay for the Hi Limit circuit of the equipment. ALM 2 in the configuration will control this output.
2. Terminal 3 on the 7SL will be transferred over to Terminal AC on the 816L (if used) this terminal will serve as the Normally Closed contact for the FM Approved relay. ALM 2 in the configuration will activate this output.
3. Next on the 7SL, Terminal 7 will transpose to Terminal 1A on the 816L. This will be Output 1 on the 816L and is typically activated with Alarm 1 (ALM 1) in the configuration.
4. The 816L does have 1 added output over the 7SL controller. This can be observed on Terminals 2A and 2B, Output 2. If desired it can be wired per the diagram above (Image 2).
5. The input wiring from the 7SL on Terminals 8,9 and 10 can be transferred
 - Terminal 8 to Terminal VI
 - Terminal 9 to Terminal V-
 - Terminal 10 to Terminal V+
6. The communication terminal shown above (Image 3) can be transposed in the following order to the 816L (Image 4).
 - Terminal 11 to Terminal HE
 - Terminal 12 to Terminal HF
 - Terminal 13 to Terminal HD (Shield)
7. The digital input contacts on the 7SL , Terminals 14 & 15 will get transferred over. Terminal 14 will transfer to Terminal C While Terminal 15 will be re-landed on Terminal LA.
8. Lastly, Terminal 4 and Terminal 5 can be re-landed to the L1 & L2 Terminals on the 816L And the digital output commons (AB, 1B& 2B) can be jumped from Terminal L1.
9. Please reference the controller manual to complete the software configuration of this device.