

3.5"

4.53" X 3.13"

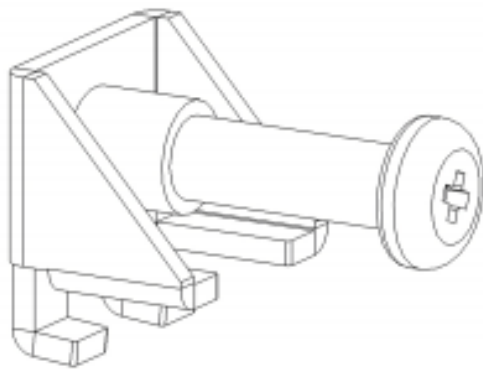
5.7"

7.402" X 5.552"

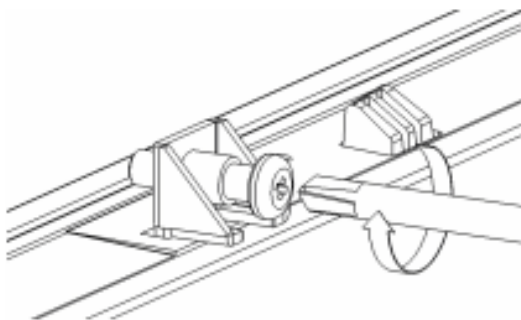
12.1"

11.890 X 8.976

1. There is an adhesive waterproof gasket on the Mg front bezel. Ensure that the waterproof gasket is in place before installing the TPC system in the panel opening.
2. Install the TPC in the panel opening.
3. Retrieve the clamps and long screws from the accessory pack. Hook the clamps the holes located on the four sides of the bezel. Insert screws into every clamp and tighten them to fasten the clamp in place. These screws will push the mounting panel and secure the unit.
4. The suggested mounting panel thickness is less than 6 mm (0.236 in).
5. The suggested mounting screw torque is 2 KGF-cm (kilogram-force centimeter) or 0.14 ft*lb (foot pound) (*Finger tight + ¼ turn + removable Loctite*)



Insert the screws into each clamp and tighten them to fasten the clamp in place.



Hook the clamps into the holes and fasten the screws
Torque: 2 kgf-cm
These screws will push the mounting panel and secure the unit.
