

OR DENOTES TERMINAL BLOCK

PRODUCTION DRAWING(S)
USE THIS DRAWING FOR CONSTRUCTION.
CONFIDENTIAL

D	ECD - --512	JPE	27 AUG 2020	DWM
REV.	DESCRIPTION	DRAWN	DATE	APPROVED
MULTI GAS / MULTI ZONE ANALYZER SUB-ASSEMBLY				
MULTI GAS / MULTI ZONE ANALYZER SYSTEM				
BASIC WIRING DIAGRAM				
APPROVALS	DATE	DWG. NO.	REV. D	
DRAWN GDG	11 NOV 2015	20861		
CHECKED DWM	24 NOV 2015	STANDARD PRODUCTS ANALYZERS		
ISSUED	24 NOV 2015	SCALE	1:1	SHEET 01 OF 13

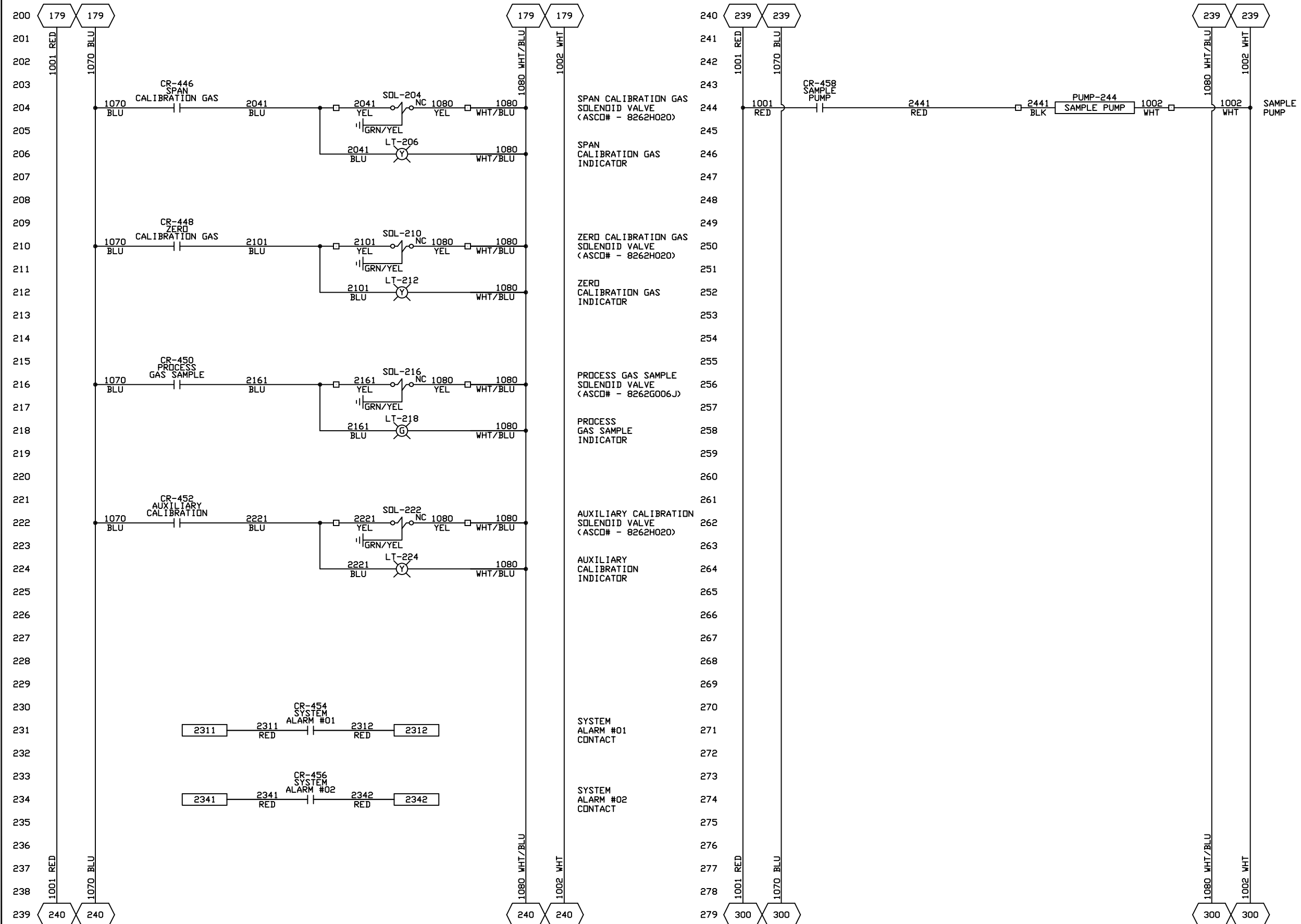
ENCLOSURE SPECIFICATIONS		
INPUT VOLTAGE	120 VAC	
MAXIMUM CURRENT		
ENCLOSURE WEIGHT		

UNLESS OTHERWISE SPECIFIED DIMENSIONS ARE IN INCHES		
FRACTIONS	DECIMALS	ANGLES
±1/64"	X.X=±0.100	±0.5°
	X.XX=±0.010	
	X.XXX=±0.001	

NOTICE: THIS DRAWING AND THE INFORMATION HEREIN IS OWNED BY SUPER SYSTEMS, INC. (SSI). SSI RESERVES ALL RIGHTS INCLUDING TITLE, COPYRIGHT, PATENT RIGHTS AND THE RIGHT OF POSSESSION IN THE DRAWING AND ITS CONTENTS, EXCEPT AS AUTHORIZED BY SSI IN WRITING. ANY DISCLOSURE, REPRODUCTION, OR USE OF THIS DRAWING OR THE INFORMATION AND SPECIFICATIONS HEREIN IS STRICTLY PROHIBITED.

SSI
CINCINNATI, OHIO

□ OR □
DENOTES TERMINAL BLOCK



PRODUCTION DRAWING(S)
USE THIS DRAWING FOR CONSTRUCTION.
CONFIDENTIAL

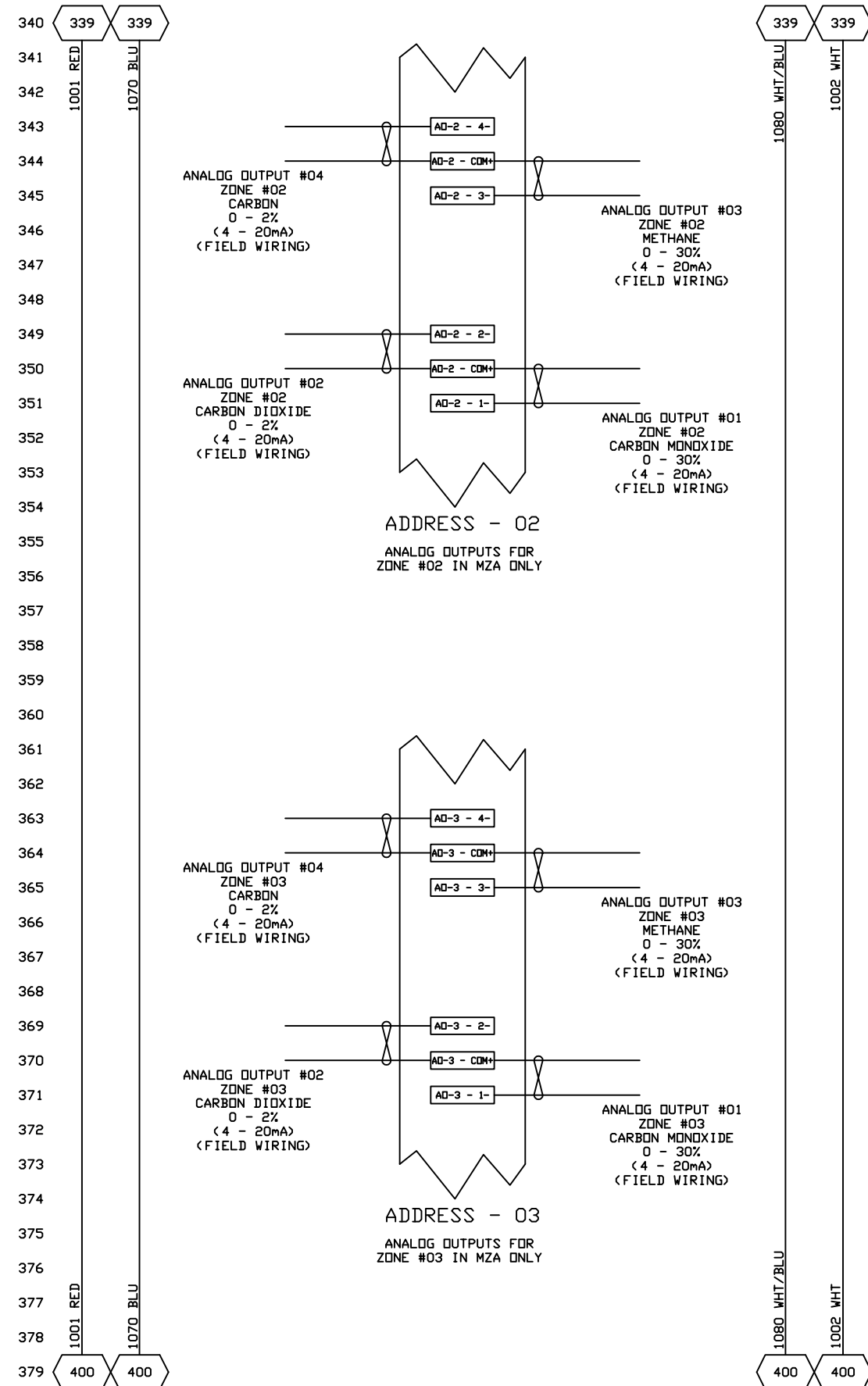
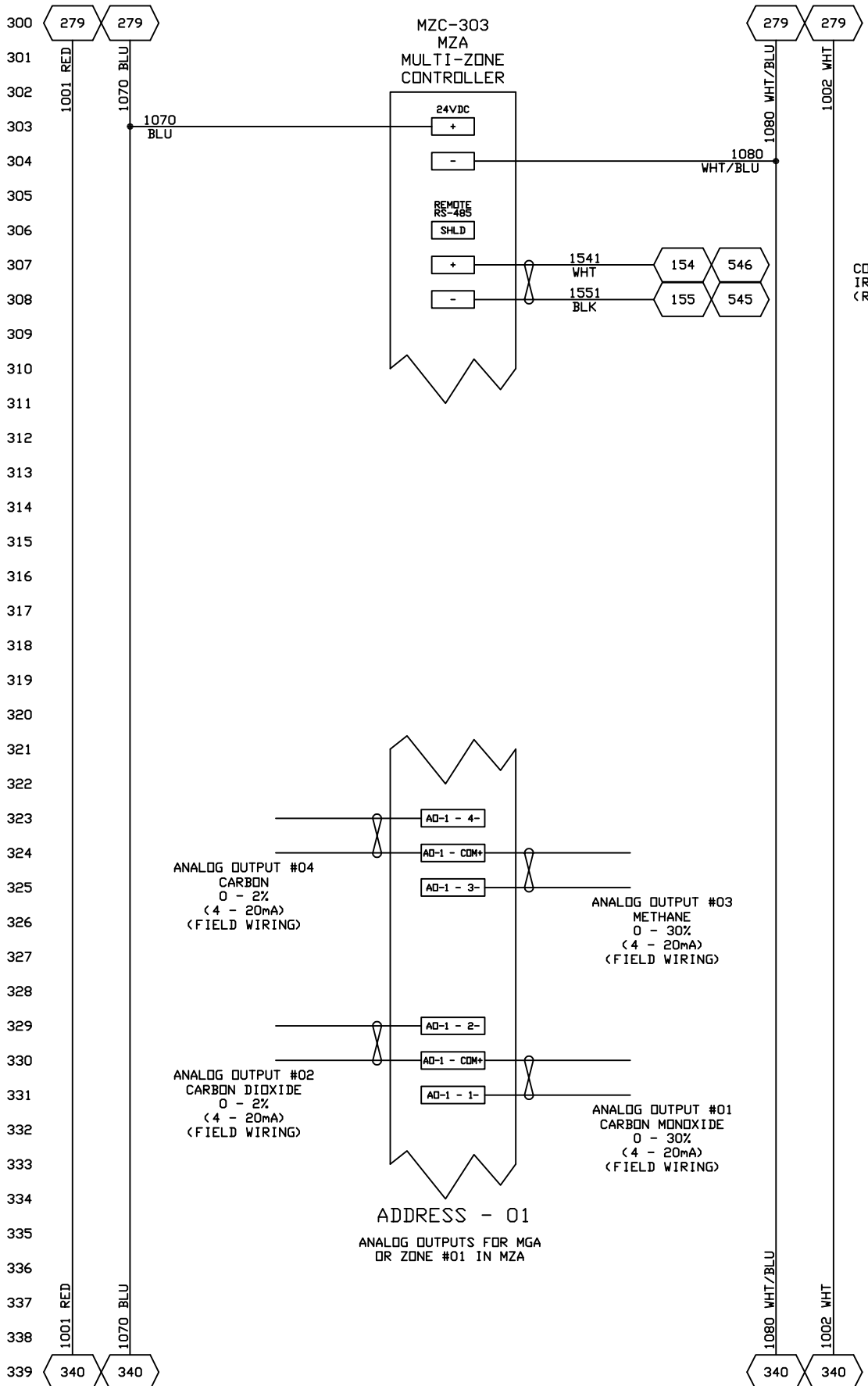
D	ECD - 00512	JPE	27 AUG 2020	DWM
REV.	DESCRIPTION	DRAWN	DATE	APPROVED
	MULTI GAS / MULTI ZONE ANALYZER SUB-ASSEMBLY			
	MULTI GAS / MULTI ZONE ANALYZER SYSTEM			
	BASIC WIRING DIAGRAM			
APPROVALS	DATE	DWG. NO.	REV.	D
DRAWN GDG	11 NOV 2015	20861		
CHECKED DWM	24 NOV 2015	STANDARD PRODUCTS ANALYZERS		
ISSUED	24 NOV 2015	SCALE	1:1	SHEET 02 OF 13

UNLESS OTHERWISE SPECIFIED
DIMENSIONS ARE IN INCHES
TOLERANCES ARE:
FRACTIONS DECIMALS ANGLES
±1/64" X.XX=±0.100 ±0.5°
X.XX=±0.010
X.XXX=±0.001

NOTICE: THIS DRAWING AND THE INFORMATION HEREIN IS OWNED BY SUPER SYSTEMS, INC. (SSI). SSI RESERVES ALL RIGHTS INCLUDING TITLE, COPYRIGHT, PATENT RIGHTS AND THE RIGHT OF POSSESSION IN THE DRAWING AND ITS CONTENTS, EXCEPT AS AUTHORIZED BY SSI IN WRITING. ANY DISCLOSURE, REPRODUCTION, OR USE OF THIS DRAWING OR THE INFORMATION AND SPECIFICATIONS HEREIN IS STRICTLY PROHIBITED.

SSI
CINCINNATI, OHIO

OR □
DENOTES TERMINAL BLOCK



PRODUCTION DRAWING(S)
USE THIS DRAWING FOR CONSTRUCTION.
CONFIDENTIAL

D	ECD - 00512	JPE	27 AUG 2020	DWM
REV.	DESCRIPTION	DRAWN	DATE	APPROVED
MULTI GAS / MULTI ZONE ANALYZER SUB-ASSEMBLY				
MULTI GAS / MULTI ZONE ANALYZER SYSTEM				
BASIC WIRING DIAGRAM				
APPROVALS	DATE	DWG. NO.	REV. D	
DRAWN	GDG	11 NOV 2015	20861	
CHECKED	DWM	24 NOV 2015	STANDARD PRODUCTS\ANALYZERS\	
ISSUED	24 NOV 2015	SCALE	1:1	SHEET 03 OF 13

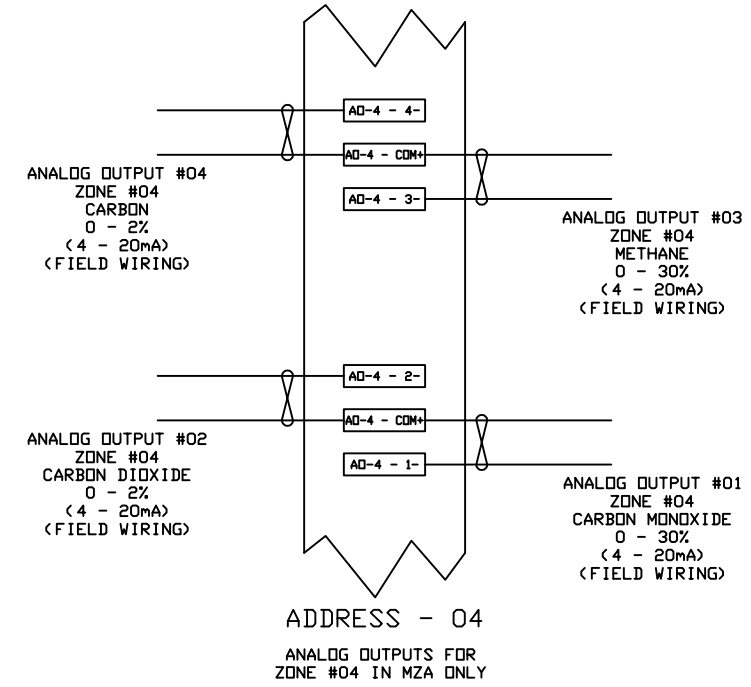
UNLESS OTHERWISE SPECIFIED
DIMENSIONS ARE IN INCHES
TOLERANCES ARE:
FRACTIONS DECIMALS ANGLES
±1/64" X.X=±0.100 ±0.5°
X.XX=±0.010
X.XXX=±0.001

NOTICE: THIS DRAWING AND THE INFORMATION HEREIN IS OWNED
BY SUPER SYSTEMS, INC. (SSI). SSI RESERVES ALL RIGHTS
INCLUDING TITLE, COPYRIGHT, PATENT RIGHTS AND THE RIGHT OF
POSSESSION IN THE DRAWING AND ITS CONTENTS, EXCEPT AS
AUTHORIZED BY SSI IN WRITING. ANY DISCLOSURE, REPRODUCTION,
OR USE OF THIS DRAWING OR THE INFORMATION AND
SPECIFICATIONS HEREIN IS STRICTLY PROHIBITED.

SSI
CINCINNATI, OHIO

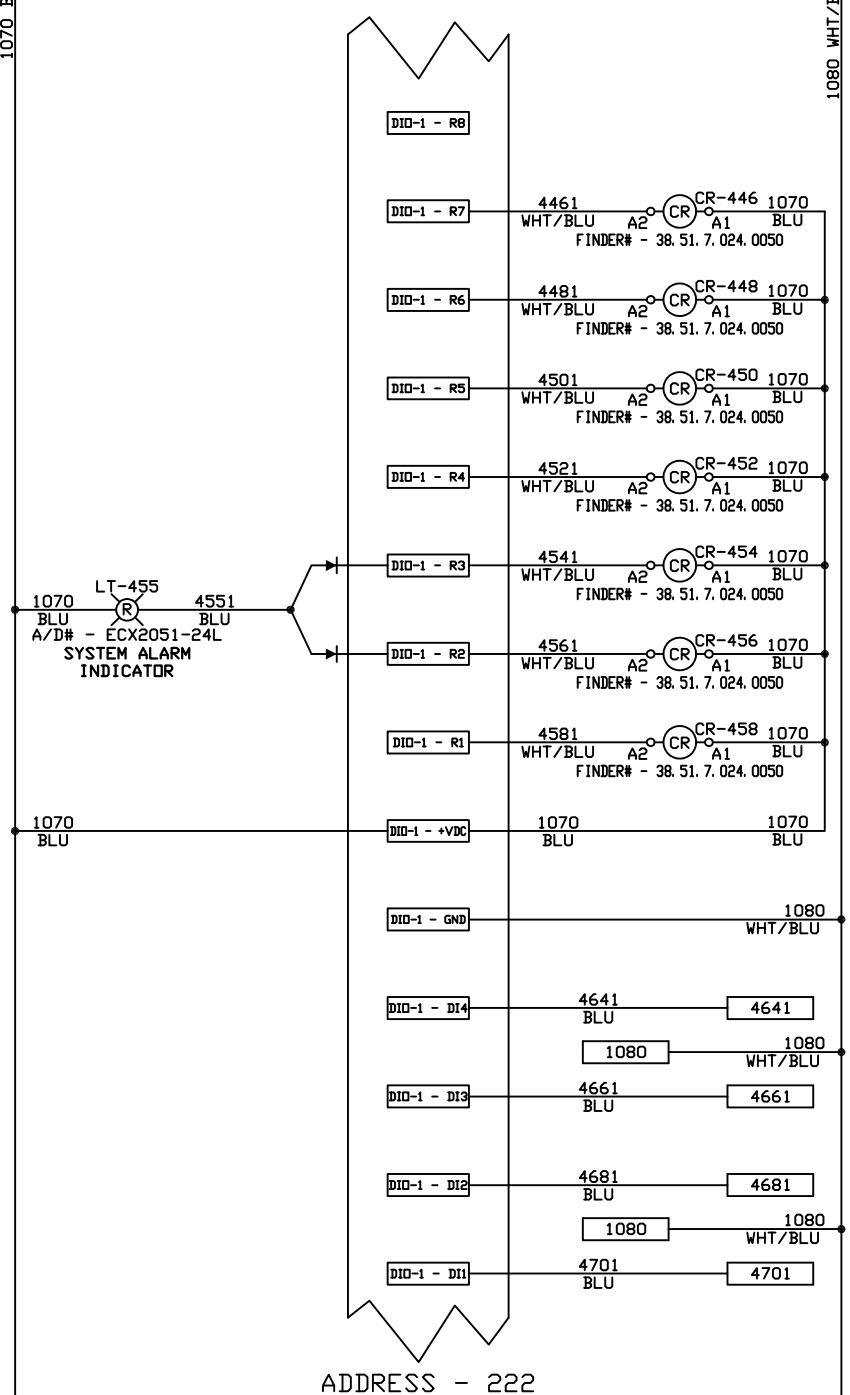
OR □
DENOTES TERMINAL BLOCK

400 379 379
401 1001 RED 1070 BLU
402
403
404
405
406
407
408
409
410
411
412
413
414
415
416
417
418
419
420
421
422
423
424
425
426
427
428
429
430
431
432
433
434
435
436
437
438
439 440 440



379 379
1080 WHT/BLU 1002 WHT
440 440

440 439 439
441 1001 RED 1070 BLU
442
443
444
445
446
447
448
449
450
451
452
453
454
455
456
457
458
459
460
461
462
463
464
465
466
467
468
469
470
471
472
473
474
475
476
477
478
479 500 500



439 439
1080 WHT/BLU 1002 WHT
500 500

RELAY OUTPUT #08
NOT
USED

RELAY OUTPUT #07
SPAN GAS CALIBRATION
204

RELAY OUTPUT #06
ZERO GAS CALIBRATION
210

RELAY OUTPUT #05
PROCESS GAS SAMPLE
216

RELAY OUTPUT #04
AUXILIARY CALIBRATION
222

RELAY OUTPUT #03
SYSTEM ALARM #01
231

RELAY OUTPUT #02
SYSTEM ALARM #02
234

RELAY OUTPUT #01
SAMPLE PUMP
244

+24VDC

DIGITAL
INPUT
GROUND

DIGITAL INPUT #04
SEE MANUAL FOR DIGITAL
INPUT ASSIGNMENTS

DIGITAL INPUT #03
SEE MANUAL FOR DIGITAL
INPUT ASSIGNMENTS

DIGITAL INPUT #02
SEE MANUAL FOR DIGITAL
INPUT ASSIGNMENTS

DIGITAL INPUT #01
SEE MANUAL FOR DIGITAL
INPUT ASSIGNMENTS

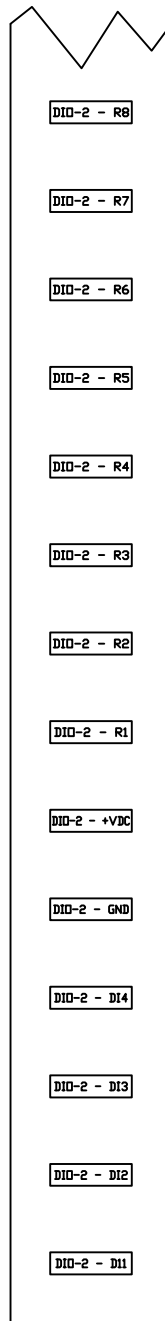
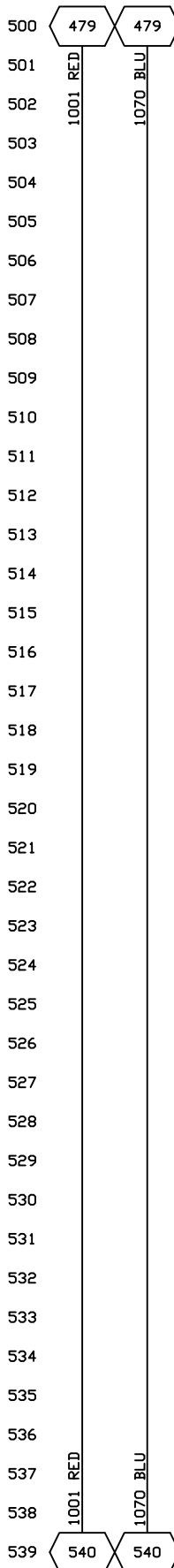
PRODUCTION DRAWING(S)
USE THIS DRAWING FOR CONSTRUCTION.
CONFIDENTIAL

D	ECO - 00512	JPE	27 AUG 2020	DWM
REV.	DESCRIPTION	DRAWN	DATE	APPROVED
MULTI GAS / MULTI ZONE ANALYZER SUB-ASSEMBLY				
MULTI GAS / MULTI ZONE ANALYZER SYSTEM				
BASIC WIRING DIAGRAM				
APPROVALS	DATE	DWG. NO.	REV. D	
DRAWN GDG	11 NOV 2015	20861		
CHECKED DWM	24 NOV 2015	STANDARD PRODUCTS\ANALYZERS\		
ISSUED	24 NOV 2015	SCALE	1:1	SHEET 04 OF 13

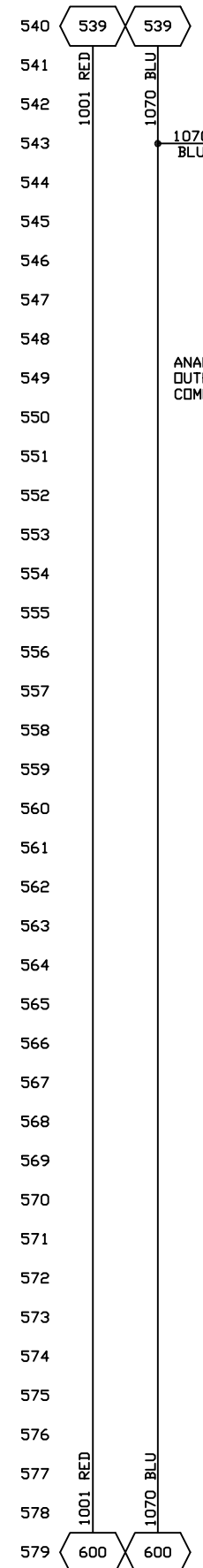
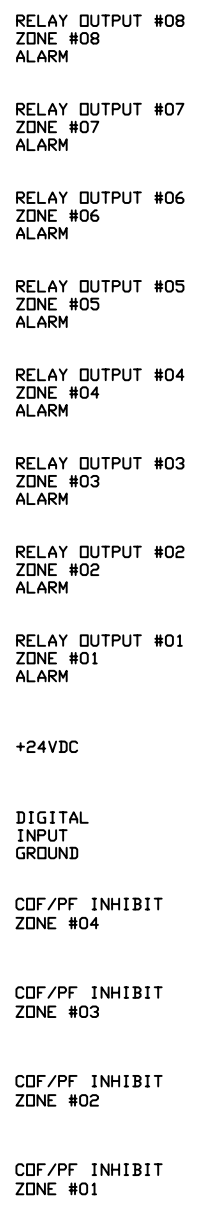
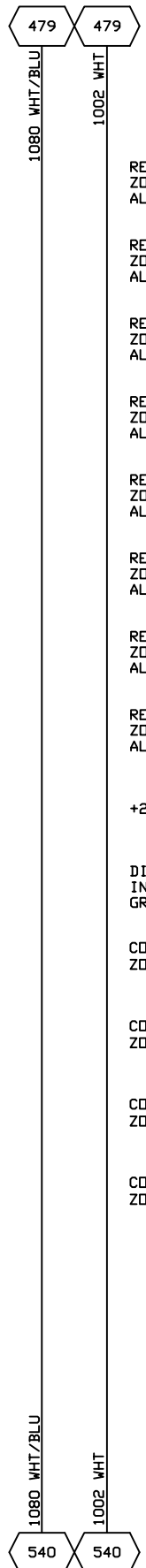
UNLESS OTHERWISE SPECIFIED
DIMENSIONS ARE IN INCHES
TOLERANCES ARE:
FRACTIONS DECIMALS ANGLES
±1/64" X.X=±0.100 ±0.5"
X.XX=±0.010
X.XXX=±0.001

NOTICE: THIS DRAWING AND THE INFORMATION HEREIN IS OWNED
BY SUPER SYSTEMS, INC. (SSI). SSI RESERVES ALL RIGHTS
INCLUDING TITLE, COPYRIGHT, PATENT RIGHTS AND THE RIGHT OF
POSSESSION IN THE DRAWING AND ITS CONTENTS, EXCEPT AS
AUTHORIZED BY SSI IN WRITING ANY DISCLOSURE, REPRODUCTION,
OR USE OF THIS DRAWING OR THE INFORMATION AND
SPECIFICATIONS HEREIN IS STRICTLY PROHIBITED.

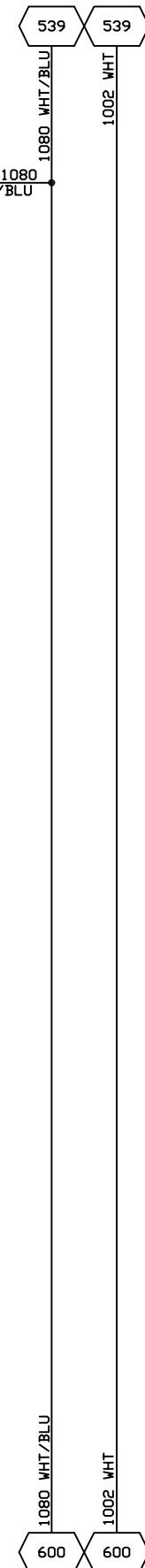
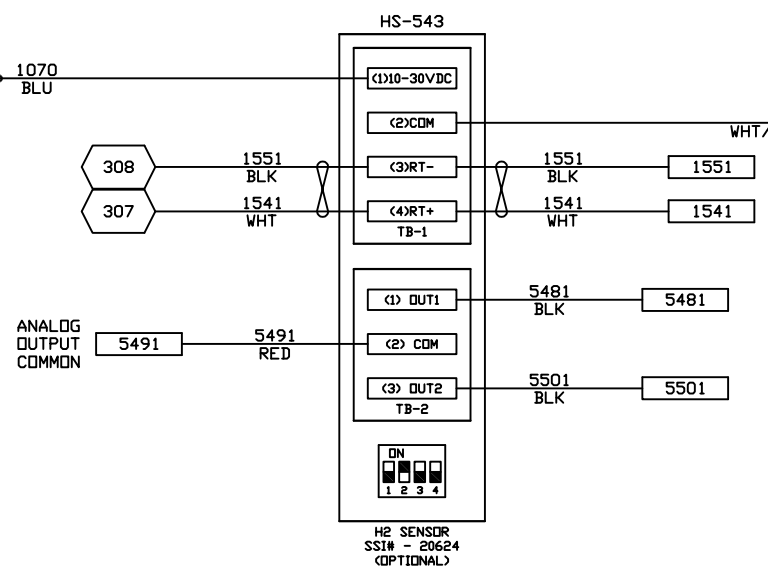
SSI
CINCINNATI, OHIO



SSI# - 20859
MZA OPTION
ADDRESS - 225



HS-543 WILL NOT BE SUPPLIED TO THE PANEL SHOP, INSTEAD SSI WILL SUPPLY A 4 POSITION CONNECTOR (TB-1) AND A 3 POSITION CONNECTOR (TB-2) FOR THE PANEL SHOP TO WIRE TO.



COMMS TO
MZC-303 AND IR-143
(RS-485)

ANALOG OUTPUT #01
% HYDROGEN
(4 - 20mA)

ANALOG OUTPUT #02
SPARE
(4 - 20mA)

□ OR □
DENOTES TERMINAL BLOCK

PRODUCTION DRAWING(S)
USE THIS DRAWING FOR CONSTRUCTION.
CONFIDENTIAL

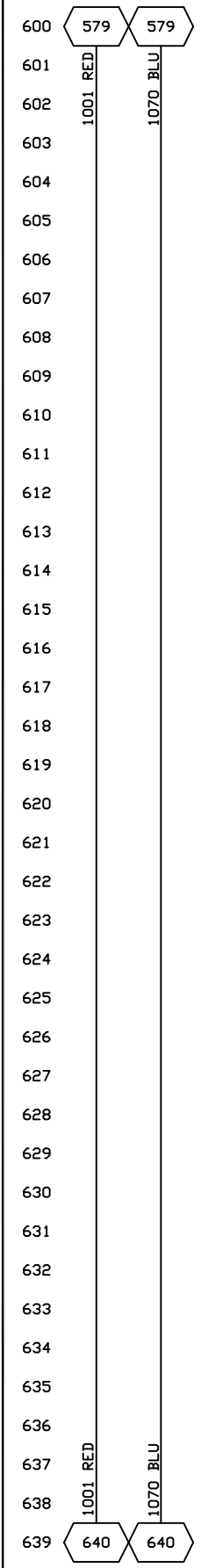
D	ECD - 00512	JPE	27 AUG 2020	DWM
REV.	DESCRIPTION	DRAWN	DATE	APPROVED
MULTI GAS / MULTI ZONE ANALYZER SUB-ASSEMBLY				
MULTI GAS / MULTI ZONE ANALYZER SYSTEM				
BASIC WIRING DIAGRAM				
APPROVALS	DATE	DWG. NO.	REV. D	
DRAWN GDG	11 NOV 2015	20861		
CHECKED DWM	24 NOV 2015	\STANDARD PRODUCTS\ANALYZERS\		
ISSUED	24 NOV 2015	SCALE	1:1	SHEET 05 OF 13

UNLESS OTHERWISE SPECIFIED
DIMENSIONS ARE IN INCHES
TOLERANCES ARE:
FRACTIONS ±1/64"
DECIMALS X.X=±0.100
X.XX=±0.010
X.XXX=±0.001

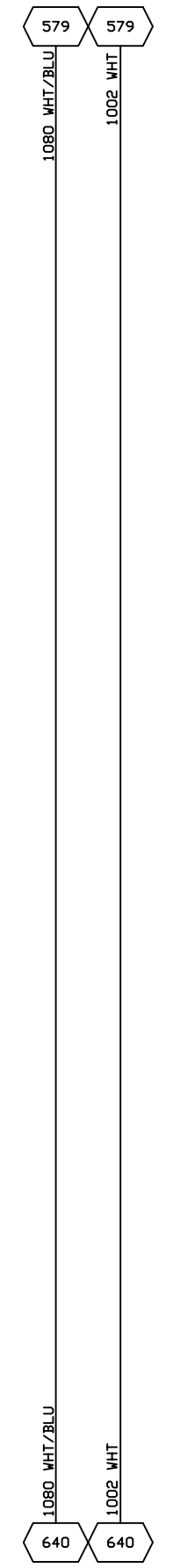
NOTICE: THIS DRAWING AND THE INFORMATION HEREIN IS OWNED BY SUPER SYSTEMS, INC. (SSI). SSI RESERVES ALL RIGHTS INCLUDING TITLE, COPYRIGHT, PATENT RIGHTS AND THE RIGHT OF POSSESSION IN THE DRAWING AND ITS CONTENTS, EXCEPT AS AUTHORIZED BY SSI IN WRITING. ANY DISCLOSURE, REPRODUCTION, OR USE OF THIS DRAWING OR THE INFORMATION AND SPECIFICATIONS HEREIN IS STRICTLY PROHIBITED.



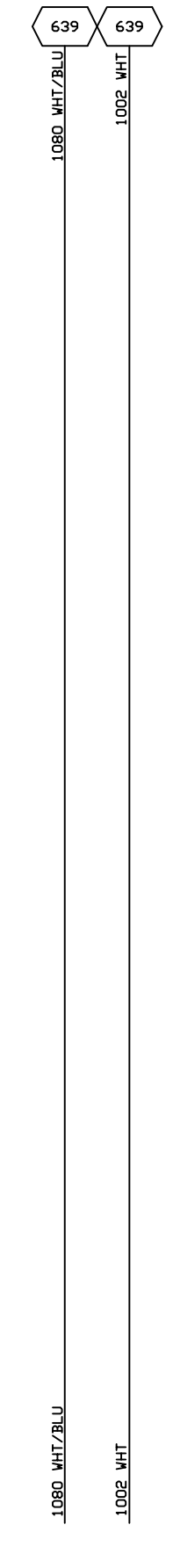
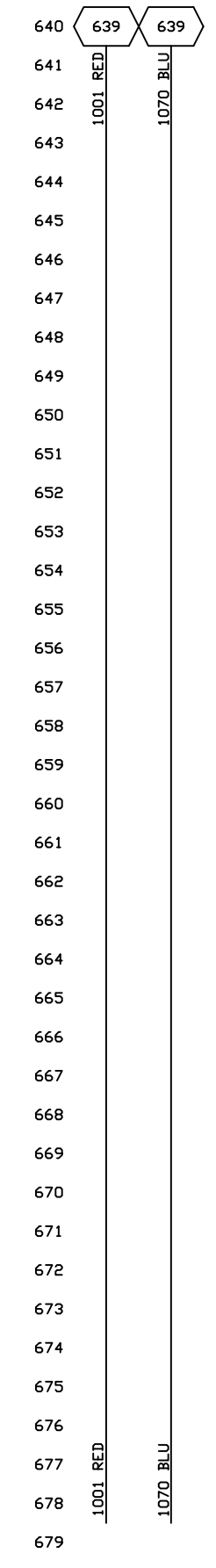
OR
DENOTES TERMINAL BLOCK



INTENTIONALLY
BLANK



INTENTIONALLY
BLANK



PRODUCTION DRAWING(S)
USE THIS DRAWING FOR CONSTRUCTION.
CONFIDENTIAL

D	ECD - 00512	JPE	27 AUG 2020	DWM
REV.	DESCRIPTION	DRAWN	DATE	APPROVED
	MULTI GAS / MULTI ZONE ANALYZER SUB-ASSEMBLY			
	MULTI GAS / MULTI ZONE ANALYZER SYSTEM			
	BASIC WIRING DIAGRAM			
APPROVALS	DATE	DWG. NO.	REV.	D
DRAWN GDG	11 NOV 2015	20861		
CHECKED DWM	24 NOV 2015	STANDARD PRODUCTS\ANALYZERS\		
ISSUED	24 NOV 2015	SCALE	1: 1	SHEET 06 OF 13

UNLESS OTHERWISE SPECIFIED
DIMENSIONS ARE IN INCHES
TOLERANCES ARE:
FRACTIONS ±1/64"
DECIMALS X.X=±0.100
X.XX=±0.010
X.XXX=±0.001
ANGLES ±0.5°

NOTICE: THIS DRAWING AND THE INFORMATION HEREIN IS OWNED
BY SUPER SYSTEMS, INC. (SSI). SSI RESERVES ALL RIGHTS
INCLUDING TITLE, COPYRIGHT, PATENT RIGHTS AND THE RIGHT OF
POSSESSION IN THE DRAWING AND ITS CONTENTS, EXCEPT AS
AUTHORIZED BY SSI IN WRITING. ANY DISCLOSURE, REPRODUCTION,
OR USE OF THIS DRAWING OR THE INFORMATION AND
SPECIFICATIONS HEREIN IS STRICTLY PROHIBITED.

