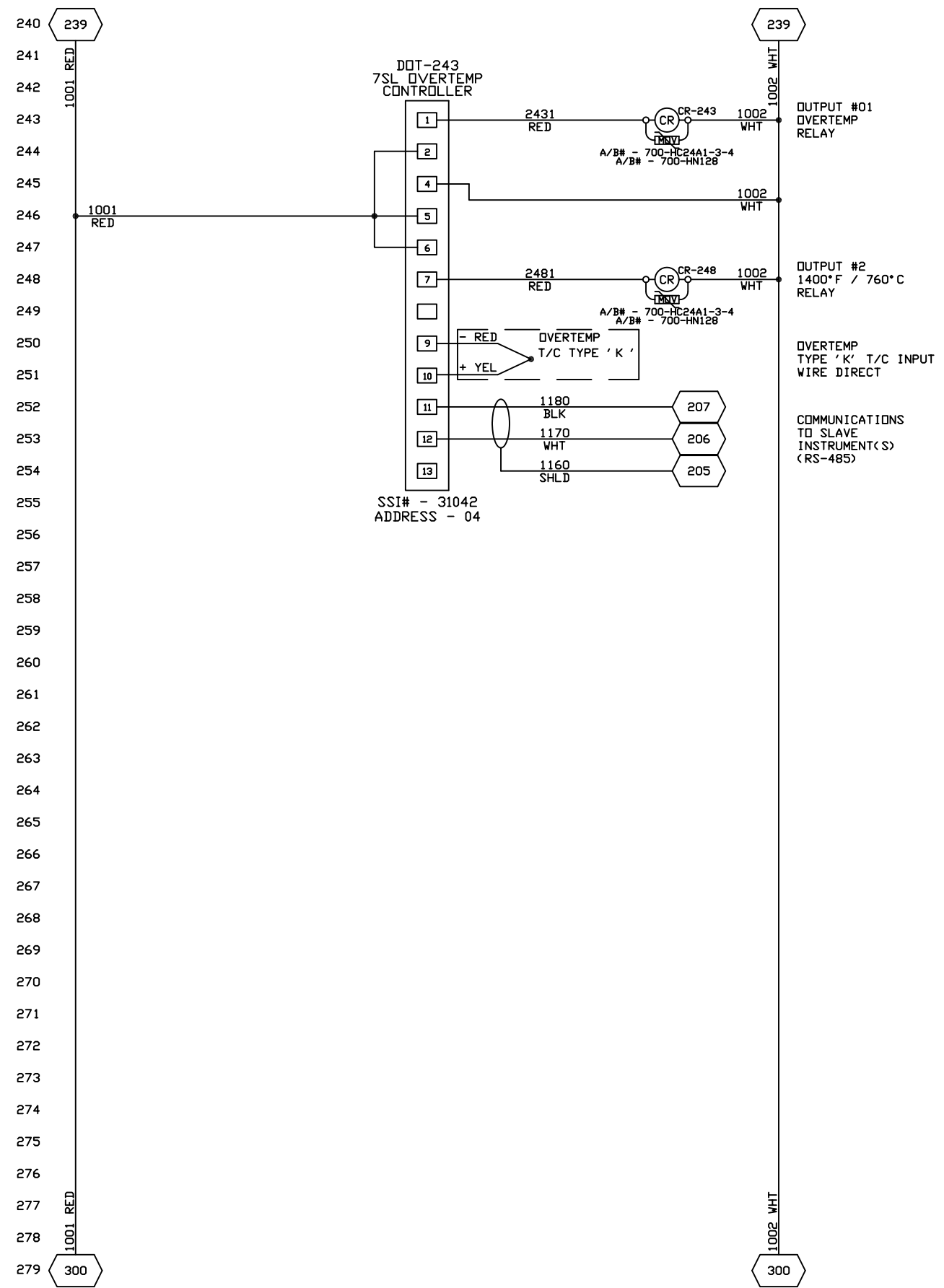
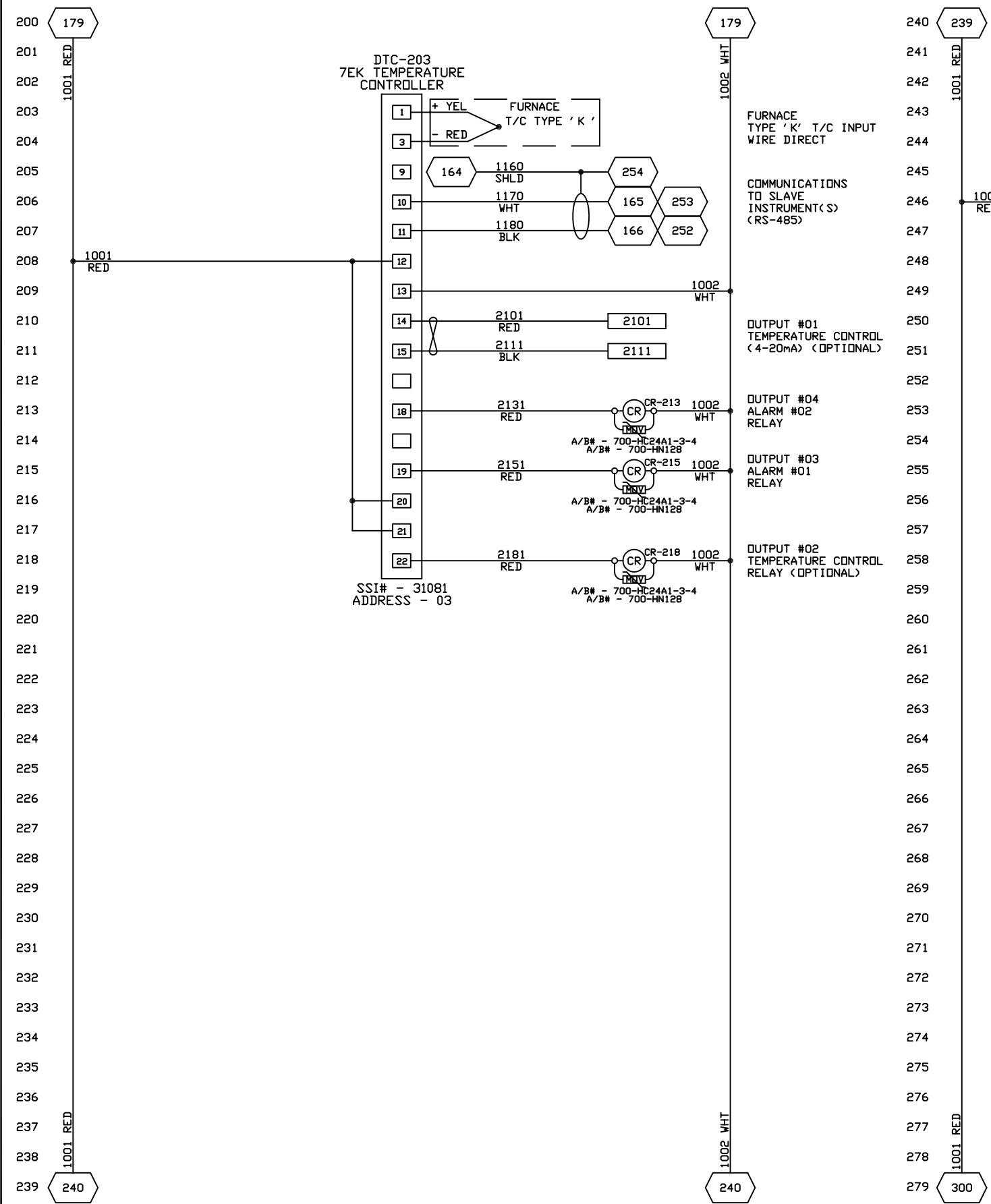




OR □  
DENOTES TERMINAL BLOCK



REFERENCE DRAWING(S)  
THIS DRAWING IS FURNISHED AS A GUIDELINE ONLY. FINAL INSTALLATION DIAGRAMS ARE THE RESPONSIBILITY OF OTHERS.

REV.	DESCRIPTION	DRAWN	DATE	APPROVED
SERIES 9010 ATMOSPHERE & TEMPERATURE CONTROL SYSTEM BASIC WIRING DIAGRAM				
APPROVALS	DATE	DWG. NO.	REV.	
DRAWN GDG	10 JAN 2011	SHEET - 02		
CHECKED CHKD	DATE CHKD	DRAWINGS\		
ISSUED	DATE ISSUED	SCALE 1:1	SHEET 02 OF 03	

UNLESS OTHERWISE SPECIFIED DIMENSIONS ARE IN INCHES TOLERANCES ARE:  
FRACTIONS DECIMALS ANGLES  
±1/64" X.X=±0.100 ±0.5"  
X.XX=±0.010  
X.XXX=±0.001

NOTICE: THIS DRAWING AND THE INFORMATION HEREIN IS OWNED BY SUPER SYSTEMS, INC. (SSI). SSI RESERVES ALL RIGHTS INCLUDING TITLE, COPYRIGHT, PATENT RIGHTS AND THE RIGHT OF POSSESSION IN THE DRAWING AND ITS CONTENTS, EXCEPT AS AUTHORIZED BY SSI IN WRITING. ANY DISCLOSURE, REPRODUCTION, OR USE OF THIS DRAWING OR THE INFORMATION AND SPECIFICATIONS HEREIN IS STRICTLY PROHIBITED.



OR   
 DENOTES TERMINAL BLOCK

300 279  
 1001 RED  
 301  
 302  
 303  
 304  
 305  
 306  
 307  
 308  
 309  
 310  
 311  
 312  
 313  
 314  
 315  
 316  
 317  
 318  
 319  
 320  
 321  
 322  
 323  
 324  
 325  
 326  
 327  
 328  
 329  
 330  
 331  
 332  
 333  
 334  
 335  
 336  
 337 1001 RED  
 338  
 339 340

INTENTIONALLY  
 BLANK

300 279  
 1002 WHT  
 301  
 302  
 303  
 304  
 305  
 306  
 307  
 308  
 309  
 310  
 311  
 312  
 313  
 314  
 315  
 316  
 317  
 318  
 319  
 320  
 321  
 322  
 323  
 324  
 325  
 326  
 327  
 328  
 329  
 330  
 331  
 332  
 333  
 334  
 335  
 336  
 337 1002 WHT  
 338  
 339 340

340 339  
 1001 RED  
 341  
 342  
 343  
 344  
 345  
 346  
 347  
 348  
 349  
 350  
 351  
 352  
 353  
 354  
 355  
 356  
 357  
 358  
 359  
 360  
 361  
 362  
 363  
 364  
 365  
 366  
 367  
 368  
 369  
 370  
 371  
 372  
 373  
 374  
 375  
 376  
 377  
 378  
 379

INTENTIONALLY  
 BLANK

300 339  
 1002 WHT  
 301  
 302  
 303  
 304  
 305  
 306  
 307  
 308  
 309  
 310  
 311  
 312  
 313  
 314  
 315  
 316  
 317  
 318  
 319  
 320  
 321  
 322  
 323  
 324  
 325  
 326  
 327  
 328  
 329  
 330  
 331  
 332  
 333  
 334  
 335  
 336  
 337  
 338  
 339

REFERENCE DRAWING(S)  
 THIS DRAWING IS FURNISHED AS A  
 GUIDELINE ONLY.  
 FINAL INSTALLATION DIAGRAMS  
 ARE THE RESPONSIBILITY OF OTHERS.

REV.	DESCRIPTION	DRAWN	DATE	APPROVED
SERIES 9010 ATMOSPHERE & TEMPERATURE CONTROL SYSTEM BASIC WIRING DIAGRAM				
APPROVALS	DATE	DWG. NO.	REV.	
DRAWN GDG	10 JAN 2011	SHEET - 03		
CHECKED CHKD	DATE CHKD	DRAWINGS\		
ISSUED	DATE ISSUED	SCALE 1:1	SHEET 03 OF 03	

UNLESS OTHERWISE SPECIFIED  
 DIMENSIONS ARE IN INCHES  
 TOLERANCES ARE:  
 FRACTIONS ±1/64"  
 DECIMALS X.X=±0.100  
 ANGLES X.XX=±0.010  
 X.XXX=±0.001

NOTICE: THIS DRAWING AND THE INFORMATION HEREIN IS OWNED  
 BY SUPER SYSTEMS, INC. (SSI). SSI RESERVES ALL RIGHTS  
 INCLUDING TITLE, COPYRIGHT, PATENT RIGHTS AND THE RIGHT OF  
 POSSESSION IN THE DRAWING AND ITS CONTENTS, EXCEPT AS  
 AUTHORIZED BY SSI IN WRITING. ANY DISCLOSURE, REPRODUCTION,  
 OR USE OF THIS DRAWING OR THE INFORMATION AND  
 SPECIFICATIONS HEREIN IS STRICTLY PROHIBITED.

